

Models covered

N-03T

Equipment used

Windows computer (with built-in USB 2.0 port)

Micro USB cable

- Cables designed only for charging cannot be used. Always use a micro USB cable that supports data transmission.

Supported operating systems

Windows 7 (32/64-bit)

Windows 8 (32/64-bit)

Windows 8.1 (32/64-bit)

Windows 10 (32/64-bit)

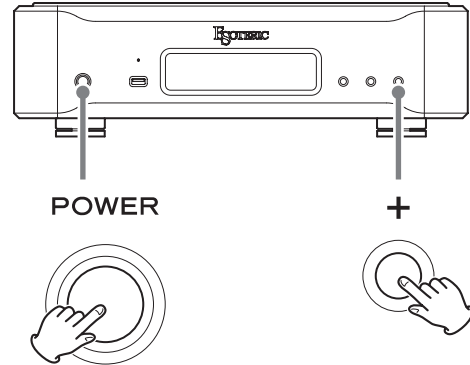
As of June, 2018

NOTE

In this manual, we refer to the N-03T as “the unit”.

Checking the firmware version

- 1 Turn the unit on while pressing the + button.

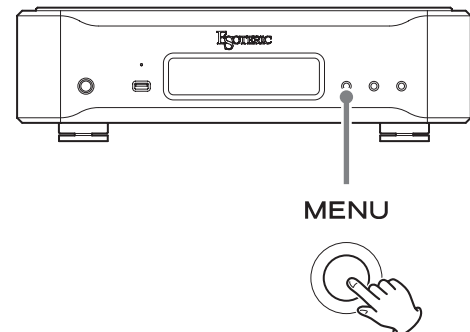


The firmware version will be shown.

Display example



- 2 After checking the firmware version, press the MENU button.



- If the version shown is the latest version, there is no need to update the unit.

Microsoft and Windows are either registered trademarks or trademarks of Microsoft Corporation in the United States and/or other countries.

Other company names and product names in this document are the trademarks or registered trademarks of their respective owners.

Update procedures

A micro USB cable is necessary to update the firmware.
Use a commercially-available micro USB cable.

IMPORTANT NOTICE

Different firmware update programs are made for every model. Execution of a firmware update program for a different model will make this unit unusable.

NOTE

The screens used in these instructions are from Windows 7.

Installing the driver for the update

After installing this on the computer once, installing it again will not be necessary.

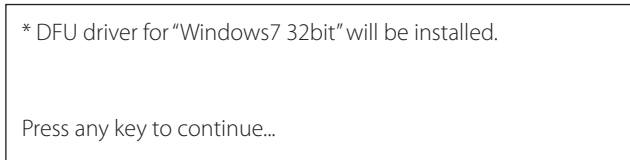
1 Download Win_DFU_driver.exe.

Save it anywhere on the computer.

2 Double-click Win_DFU_driver.exe.

3 When "Press any key to continue..." appears, press the Enter key.

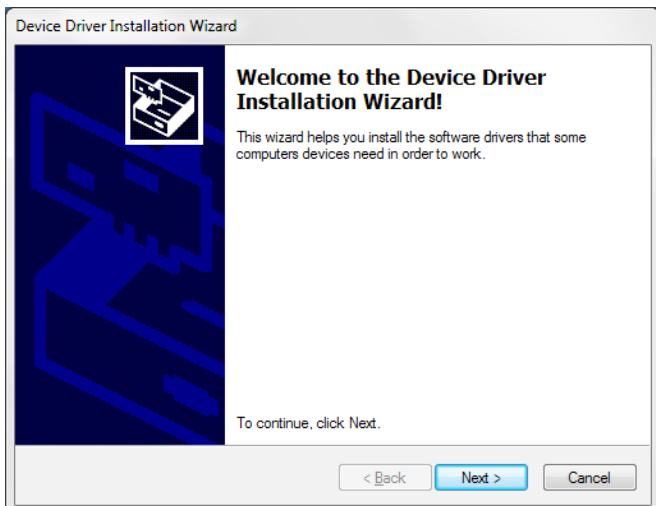
Display example



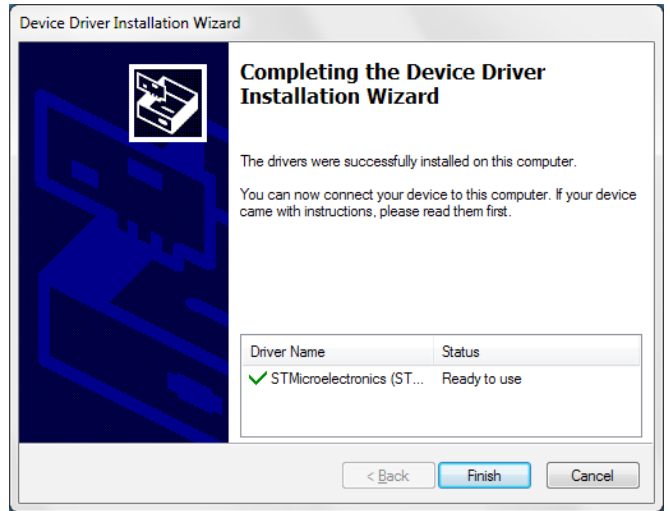
NOTE

If a "User Account Control" pop-up message appears during installation, click "Yes".

4 When the Device Driver Installation Wizard appears, click "Next".



5 Click "Finish".

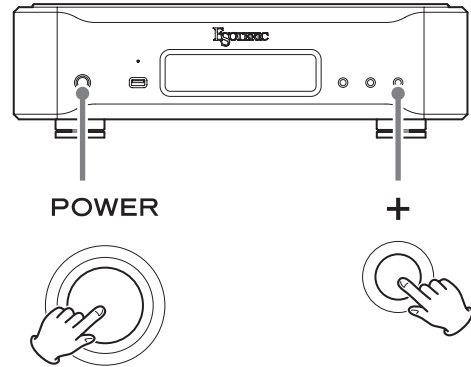


Updating the firmware

- Do this after installing the driver for the update.

1 Turn the unit off and disconnect all cables other than the power cord.

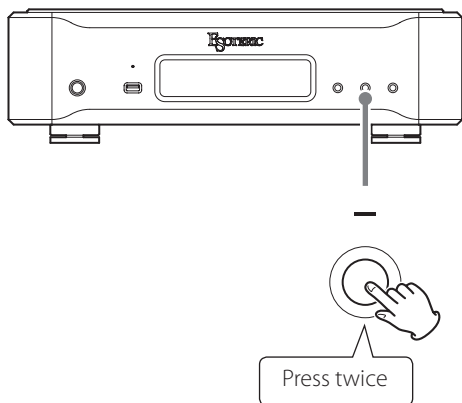
2 Press the POWER button while pressing the + button to turn the unit on.



The firmware version will be shown.

Display example

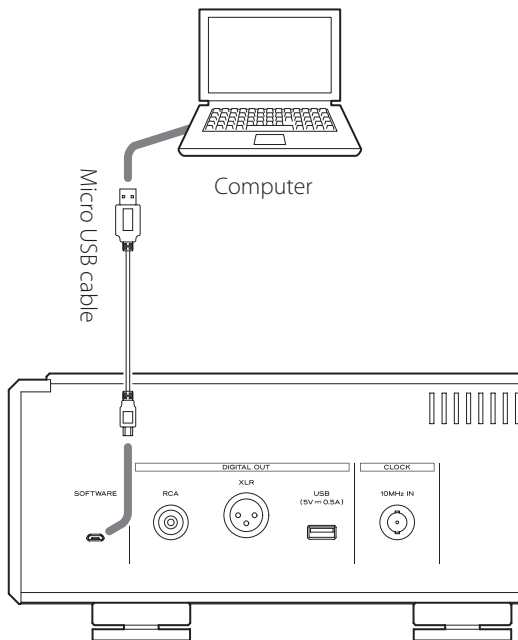


3 Press the – button twice.

This puts the unit into firmware update mode.

I / F UPDATE

- All button operations, including the POWER button, on the unit will be disabled while in this mode.

4 Use a USB cable to connect the computer to the USB Micro-B maintenance (SOFTWARE) port on the back of the unit.

- Refer to the unit's operation manual for the location of the maintenance (SOFTWARE) port.
- The USB driver will be installed on the computer automatically. Wait until it is complete.

5 Double-click N-03T_vxxx_updater.exe.

- N-03T I/F firmware updater

* Please set N-03T to F/W update mode.

Press any key to continue...

6 Confirm that the model name shown on the screen matches that of the unit, and press the Enter key.

Do not turn the unit power off or disconnect the USB cable while updating. Doing so could make the unit not operate properly.

NOTE

The following screen will appear if the unit is not recognized by the computer. Click the x at the top right of the window to close it.

0 Device(s) found. Plug your DFU Device !

Target 00: Error Code: Unknown error 0x12340005.

Target: 00

Error Code: Unknown error 0x12340005.

TransferSize: 0

DFU State: (Unknown 0x74)

DFU Status: STATUS_OK

Request: (unknown 0x2A59AD94).

CurrentNBlock: 0xF9743F6A

CurrentLength: 0x76C4EF

Percent: 0

If the screen shown above appears, check the following items and repeat step 5.

- Install the driver for the update.
- Put the unit into firmware update mode ("I/F UPDATE" should appear on the display and pressing the POWER button should not turn the unit off)
- Use a USB cable to connect the computer to the maintenance (SOFTWARE) port on the back of the unit.

ATTENTION

- Cables designed only for charging cannot be used for firmware updates. Always use a USB cable that supports data transmission.
- Connecting to a different USB port on the computer might allow it to recognize the unit.
- To cancel updating when the above screen appears, disconnect the power cord of the unit from the outlet once.

7 When “* Writing is completed.” appears, press the Enter key to close the window.

```
1 Device(s) found:
Device [1]: STM Device in DFU Mode, having [4] alternate targets
Target 00: Upgrading - Download Phase (100)...Duration: 00:00:14
Upgrade successful !
```

* Writing is completed.

* Please unplug the AC cord and plug it in again.

Press any key to continue...

8 Disconnect the power cord of the unit from the outlet.

Since the POWER button is disabled when the unit is in firmware update mode, the power cannot be turned off without disconnecting the power cord.

9 Disconnect the USB cable from the maintenance (SOFTWARE) port.

10 Connect the power cord of the unit to an outlet, and check the firmware version.

Follow the procedures in “Checking the firmware version” on page 1 and check the firmware version.

After confirming that the unit has been updated to the latest version, reconnect the disconnected cables as they were before.